

Holding tips / pedestals manual

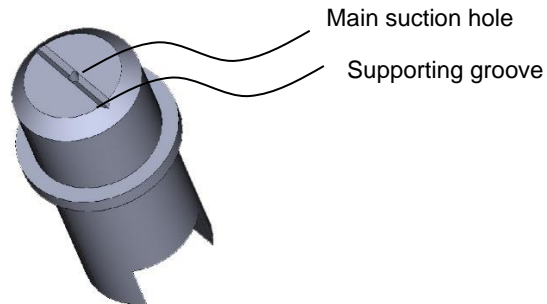
The DiaCam360 is equipped with various holding tips, for holding the diamonds by their Girdle, suitable for all types of diamonds, various shapes and sizes.

Holding a diamonds by its Girdle requires some practice, trial and knowledge of the various options.

We're absolutely sure that after reading this manual and with a little practice, holding a diamond by the Girdle will be easy, simple and fast.

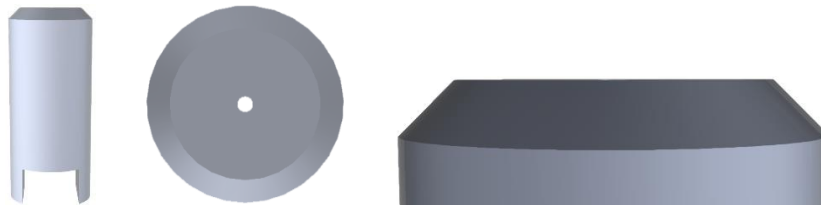
Fitting the right tip will be done mostly according to the thickness of the diamond's girdle.

Each tip differs from the others by its groove's angle and depth supports the diamond and the size of the main suction hole.

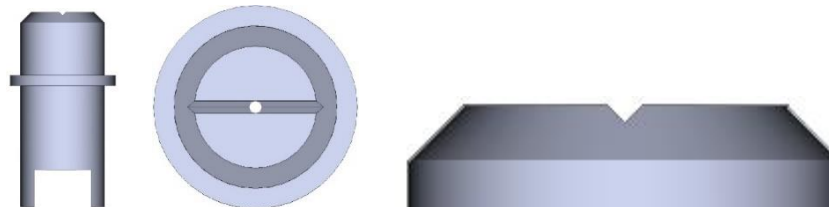


The different tips are divided to 4 types:

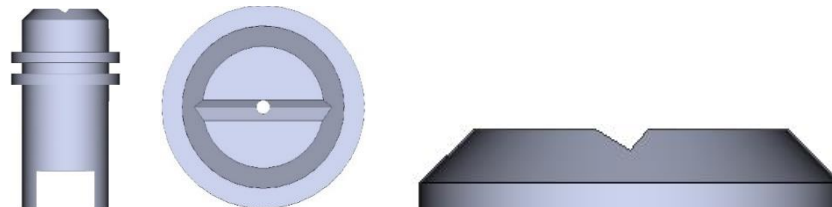
- NO grip ring - suitable mostly for square and small Fancy stones.



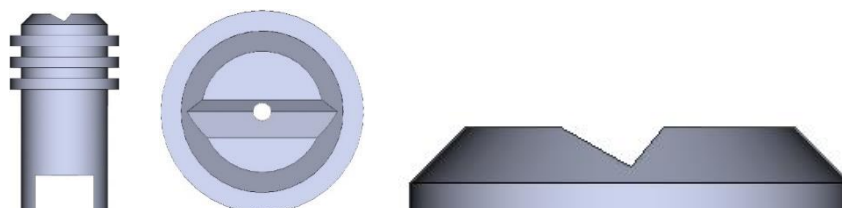
- One grip ring - suitable for thin Girdles and small diamonds (fits most Round diamonds).



- Two grip ring - suitable for small and medium sized diamonds (mostly for Fancy shape diamonds).

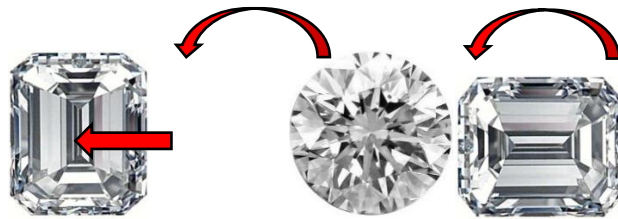


- Three grip ring - suitable for most large diamonds with thick girdle.



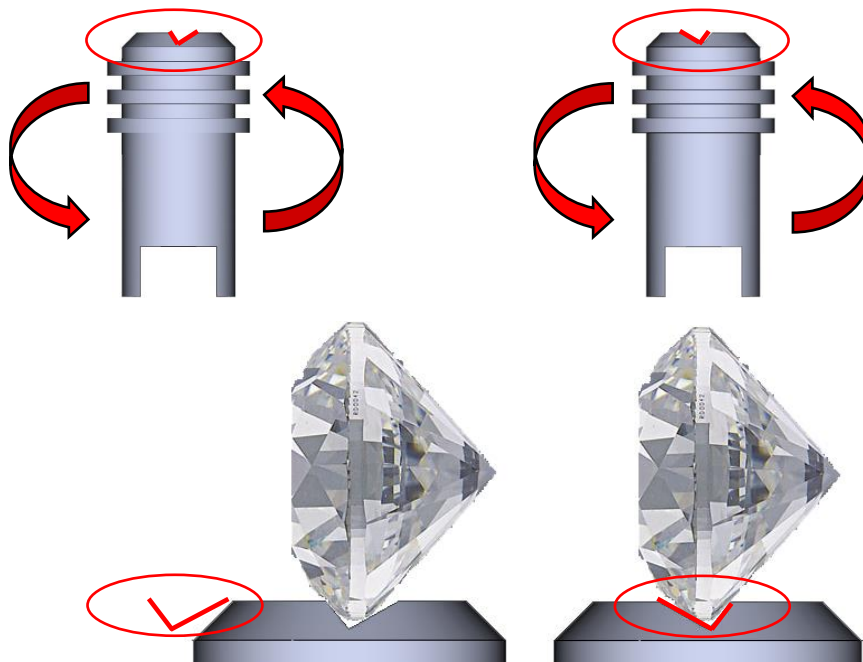
Changing the diamond's position

In case the diamond does not stand straight try turning the diamond in place or try to hold it on a different facet.



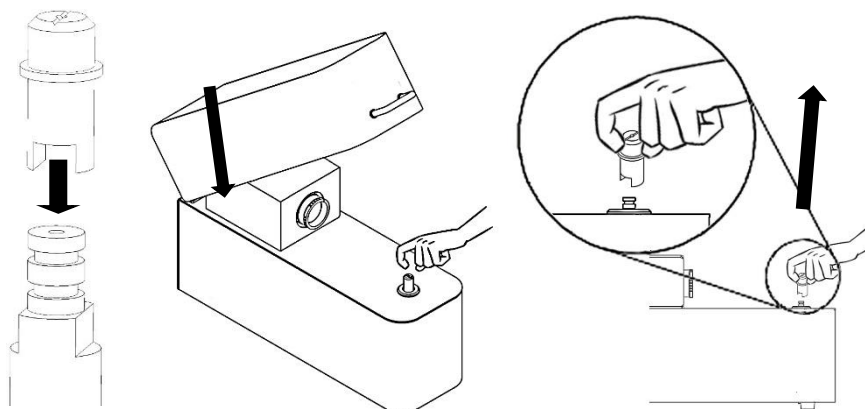
Changing tip direction

Since the angle of the groove is not symmetric each tip can be inserted in two directions. In case the diamond does not stand straight try to change the tip's direction by 180 degrees.



Changing tips

In case the diamond does not stand straight after trying the options mentioned above, try using a different tip.



** The two black O-rings, on the main pole that holds the tips, are tend to dry after a while especially because of weather changes. In case the holding tips does not come out smoothly you can apply a little of Vaseline or Lobello lip balm stick on the O-rings.